

THE SPECIAL PROVISIONS FOR REINFORCEMENT
PLACEMENT AS SHOWN , ARE AVAILABLE IN
MANY OF THE BLOCK CONFIGURATIONS ILLUSTRATED
IN FIG. 6-7.

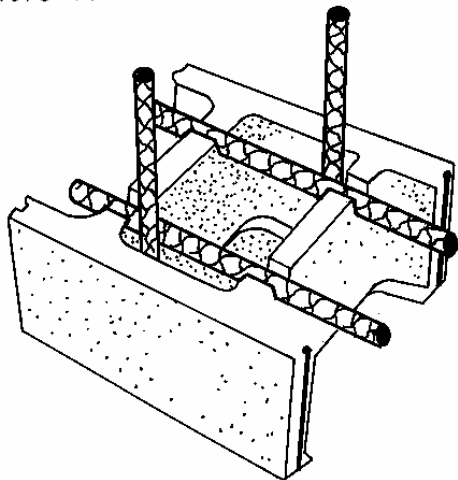


Figure 6-5

Special masonry unit for use with reinforcing bars